

Design multi-tone sounder / Multi-t.sounder 144

Multi-t.sounder BWM 32 tne 24VAC/DC BK/G

Part No.: 144.000.75

**MECHANICAL DATA**

Length	113 mm
Width	109 mm
Height	150 mm
Materials	PC/ABS
Housing colour	Black
Protection category	IP65
Connection	Screw terminals
cross-sectional area maximum	1,50mm ² / 16AWG
Cable entry	Membrane grommet
Cable entry minimum	d = 1 mm
Cable entry maximum	d = 13 mm
Type of fixing	Base mounting Wall mounting
Service life optical	5,000 h minimum
Acoustic service life	5,000 h minimum
Working temperature minimum	-30°C
Working temperature maximum	+50°C
Weight with packaging	380 g
Product weight	315 g

ELECTRICAL DATA

Operating voltage	24V
Operating voltage type	AC/DC
Rated operational current	200 mA
Rated inrush current	500 mA

ACUSTICAL DATA

Volume/dB(max) at 1m distance	114 dB(A)
Acoustic signal image	Multi-tone
Number of tones	32 tone

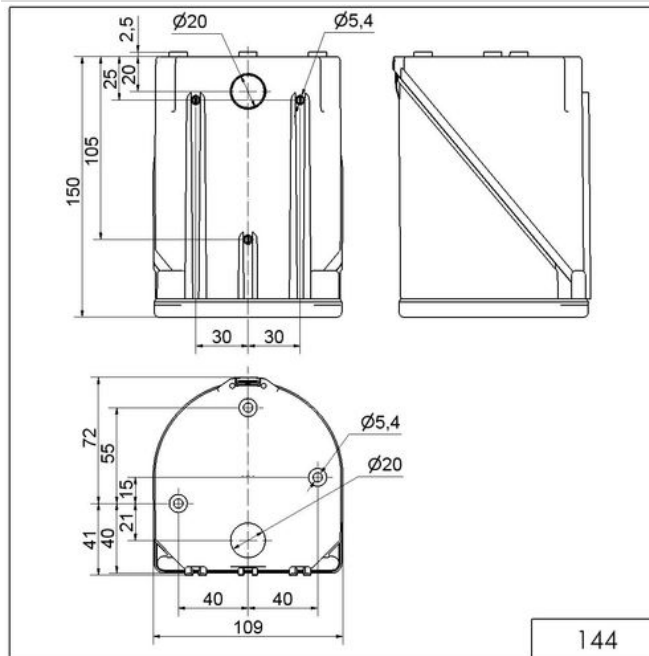


For additional installation and mounting information, refer to the appropriate user guide at www.werma.com. This printed copy is for information only and is subject to alteration.

Design multi-tone sounder / Multi-t.sounder 144

Multi-t.sounder BWM 32 tne 24VAC/DC BK/G

DRAWING



! For additional installation and mounting information, refer to the appropriate user guide at www.werma.com. This printed copy is for information only and is subject to alteration.